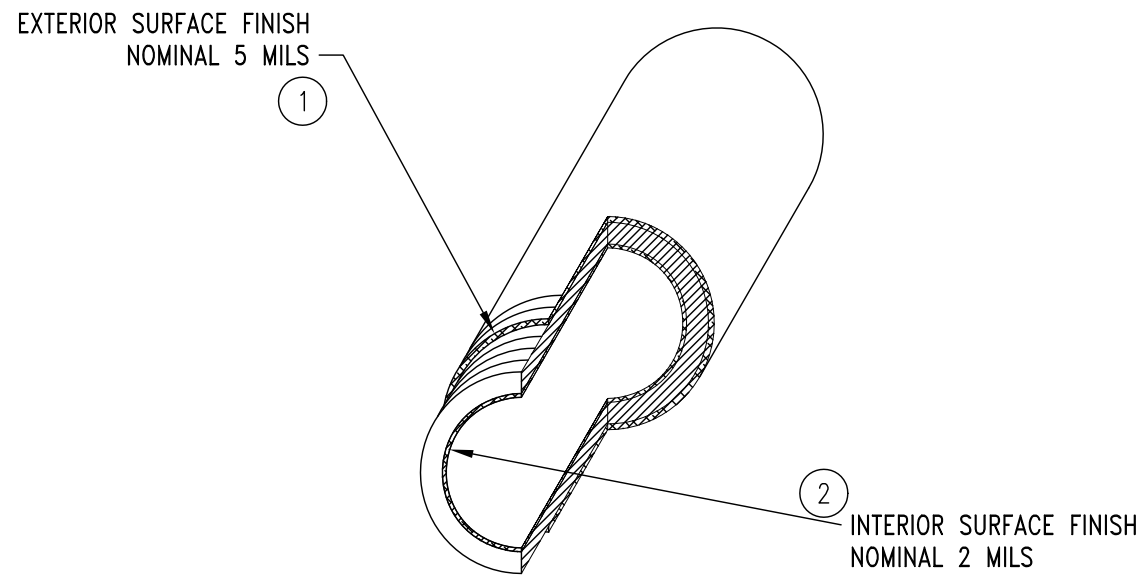


DRAWING #	SH.	REV.	DESCRIPTION	DATE	BY	EN #
NGC02	1					



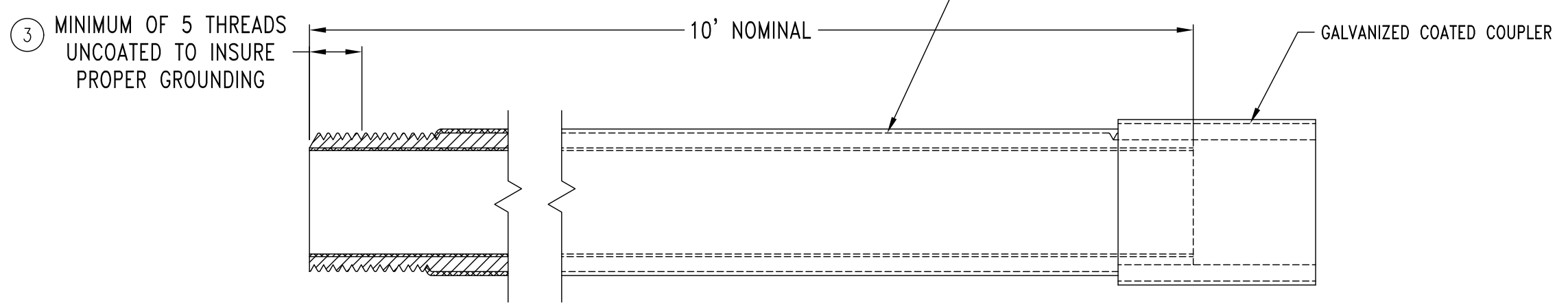
CUTAWAY - GALVANIZED COATED RIGID CONDUIT
SCALE: 1" = 1"

SPECIFICATIONS:

- 1-THE EXTERIOR COATING SHALL HAVE A THICKNESS RANGE OF 4 MILS TO 6 MILS WITH 5 MILS BEING NOMINAL.
- 2-THE INTERIOR COATING SHALL HAVE A THICKNESS RANGE OF 1.5 MILS TO 3 MILS WITH 2.0 MILS BEING NOMINAL.
- 3-ALL THREAD SHALL HAVE AT LEAST 5 THREADS UNCOATED TO ASSURE A PROPER GROUND.

NOTES:

- RIGID GALVANIZED CONDUIT AND FITTING CONFORM TO UL STANDARD 6 AND STANDARD 514B.
- A POLYURETHANE COATING SHALL BE UNIFORMLY AND CONSISTENTLY APPLIED TO THE INTERIOR AND EXTERIOR OF ALL CONDUIT AND FITTINGS.
- THE INTERIOR AND EXTERIOR POLYURETHANE COATING APPLIED TO THE CONDUIT AND FITTINGS SHALL HAVE SUFFICIENT FLEXIBILITY TO PERMIT FIELD BENDING WITHOUT CRACKING OR FLAKING AT TEMPERATURES ABOVE 30°F (-1°C).
- TRADE SIZE PIPE FROM 3/4" TO 6"



SECTION/ELEVATION - GALVANIZED COATED RIGID CONDUIT
SCALE: 1" = 1"

UNLESS OTHERWISE SPECIFIED USE :			NOTICE: THIS DRAWING AND THE INFORMATION IT DISCLOSES IS THE EXCLUSIVE PROPERTY OF NCEEC, ANY REPRODUCTION OR USE OF THIS DRAWING IN WHOLE OR IN PART WITHOUT THE EXPRESS CONSENT OF NCEEC INC. IS PROHIBITED.	NCEEC INC. 367 Bay Shore Road Deer Park, NY 11729 Phone: (800)759-7856 Fax: (631)586-5556	TITLE: GALVANIZED COATED RIGID CONDUIT SPECIFICATIONS - TUNNEL		SCALE: NTS	DATE: 05.06.10	CAT. # NGC02
APPLIED PRACTICES	TOLERANCES OF DIMENSIONS				ORDER # .	TYPE: .	DWN. BY: tjr	CH'K. BY:	DWG. #
---	2 DEC.	3 DEC.			ANGLES	SHEET 1 OF 1	SHEET . IS .	SIZE	NGC02